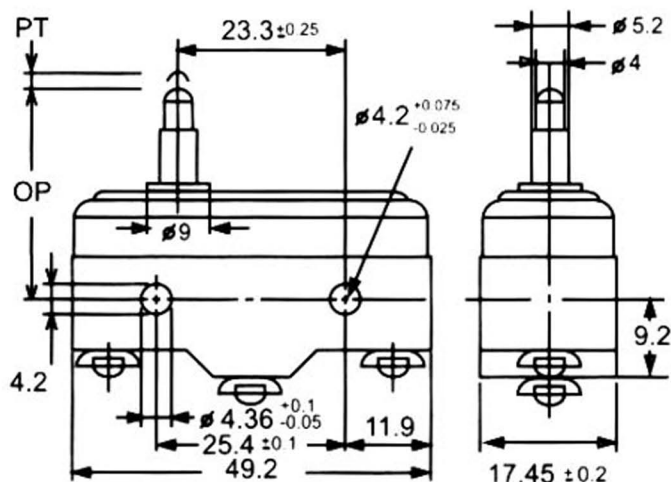


Z-15GS



Features :

General Standard

Specifications:

Operating Frequency: 0.01mm-1m/sec

Rated Voltage/Current: 15/600VAC(UL file 240199)

Service Life: Mechanically 1×10^7 (operations)
Electrically 5×10^5 (operations)

Operating Temperature: about $-25 \sim +80$ ($-4 \sim +176$)

Humidity: <95%RH

Degree of protection: IP00/IP63

Dielectric Strength:

1000VAC for 1 min between current carrying parts

2500VAC for 1 min between non-current carrying parts

Z-15GS

Operating Characteristics

- | | | | |
|---------|-------|---------|------------|
| • OFmax | 3.43N | • OTmin | 1.6mm |
| • RFmin | 1.12N | • MDmax | 0.05mm |
| • PTmax | 0.4mm | • OP | 28.2±0.6mm |